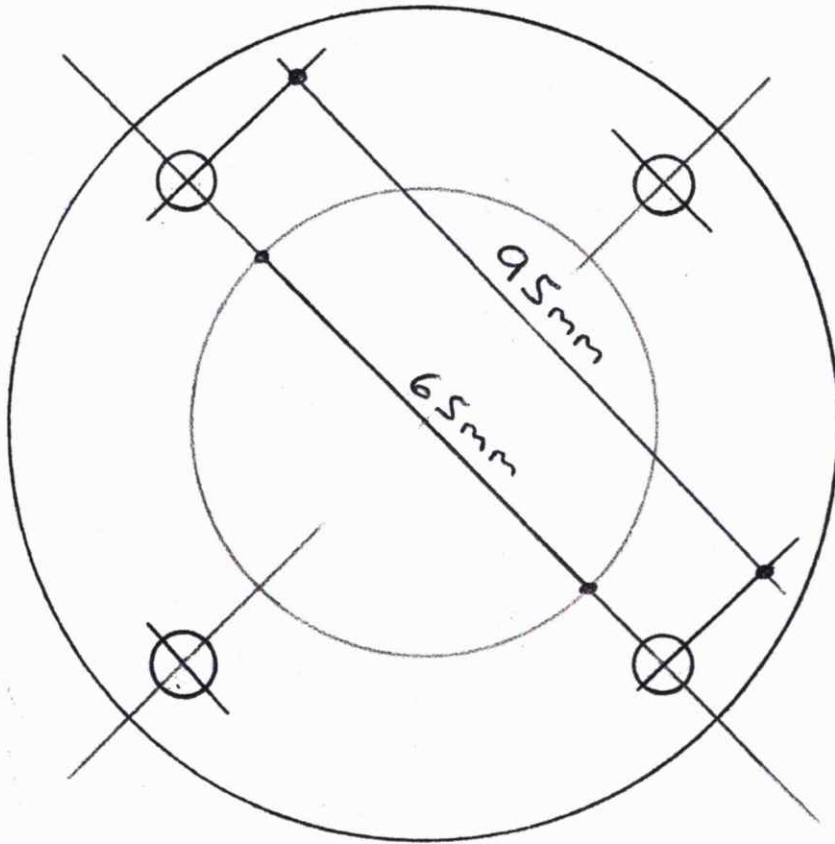
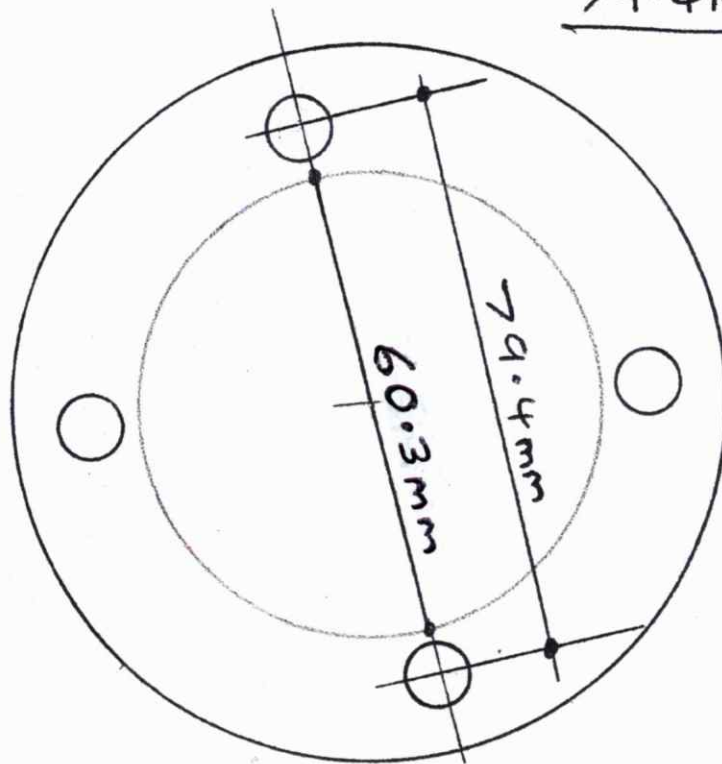


Disco 2 TOS Flange
Transfer Box Front Flange 95mm PCD



Defender / Disco 1 / RRC Flange

79.4mm PCD



Gwyn Lewis